

INSTRUCTIONS

Programmable Thermostat



57635 11/06 (BJ)

Electronic on/off thermostat for control of temperature by means of an NTC sensor (either the floor sensor placed externally or the internal sensor within the thermostat).

The thermostat is for flush fitting into a wall socket. A baseplate for external wall fitting is available.

Fitting of thermostat with built-in sensor (fig. 4)

The room sensor is used for comfort temperature regulation in rooms. The thermostat is fitted on the wall with free air circulation about 1.3 m above the floor. Draught, direct sunlight, or any other direct heating outlet must be avoided.

WARNING – Important Safety Instructions.

Isolate supply before carrying out any installation or maintenance work on this control unit and associated components. This control unit and associated components should only be installed by a competent person (i. e. qualified electrician). Electrical installation to be in accordance with appropriate Statutory Regulations.

Mounting of sensor

Floor sensor (has to be fitted): Placed in an approved non conductive installation pipe in accordance with EN 61386-1, which is embedded in the floor.

(fig. 3) The pipe is closed in the end and placed as high as possible in the concrete layer. The installation pipe must be centered in between the heating cable.

Sensor cable can be extended up to 100 m. by means of a separate cable. If the extension cable is lighter than H05VV-F, it shall equally be installed in an unbroken installation pipe between the sensor cable and the extension cable. Two remaining cores of a multi-core cable which, for example, supplies current to the floor heating wires, must not be used. The switching peaks of such current supply lines may create interfering signals that prevent optimum controller function. If a shielded cable is used, the shield must not be earthed but must be connected to terminal 6. The two-core cable must be placed in a separate pipe.

Fitting of thermostat

Backing plate

1. Release the front cover ONLY by inserting a small screwdriver into the air grills on both sides of the thermostat (see fig. 1).
DO NOT open the thermostat by releasing the four fixing clips on the back.
2. Connect cables according to the diagram (fig. 2).
3. Mount the backing plate. Use only the round holes.
4. The thermostat is mounted in the wall socket. The cover and the frame are remounted. The frame and the cover are refitted.
Note: When refitting the cover, it is essential that an audible "click" is heard by applying pressure above the two release points shown in Fig 1 .

5. Check cover is securely fitted.

Operation

The first time the thermostat is connected, time and day must be set:

- Setting of time (the clock flashes during setting)
- Setting of day (day flashes during setting)
- Setting of temperature in manual mode

Programming

See user's manual.

Fault location

If the sensor is disconnected or short-circuited, the heating system is cut out. The sensor can be checked according to the resistance table fig. 5.

Error codes

- E0: Internal error. The thermostat must be replaced.
- E1: Built-in sensor short-circuited or disconnected.
- E2: External sensor short-circuited or disconnected.

CE marking

According to the following standards,

EMC: EN 61000-6-1: 2001

EN 61000-6-3: 2001

LVD: EN 60730-1

EN 60730-2-9

Classification

The product is a class II device (enhanced insulation) and the product must be connected to the following leads,

Term. 1: Phase (L) 230 V±15%, 50/60 Hz

Term. 2: Neutral (N)

Term. 3-4: Load max. 16A, 3,600W



Protection
IP21.

Environment and recycling

Please help us to protect the environment by disposing of the packaging in accordance with the national regulations for waste processing.

Recycling of obsolete appliances

Appliances with this label must not be disposed off with the general waste. They must be collected separately and disposed off according to local regulations.

Heat Mat Limited

8, Ashwyn Business Centre
Marchants Way, Burgess Hill
West Sussex RH15 8QY
Tel: 01444 247020 - Fax: 01444 247121

Fig. 1

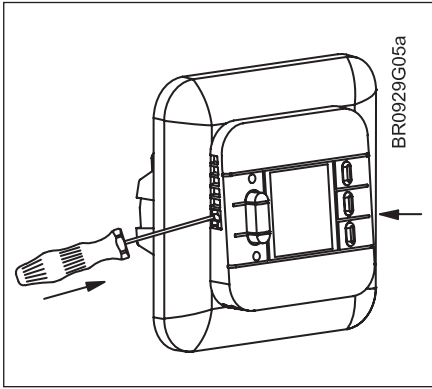


Fig. 2

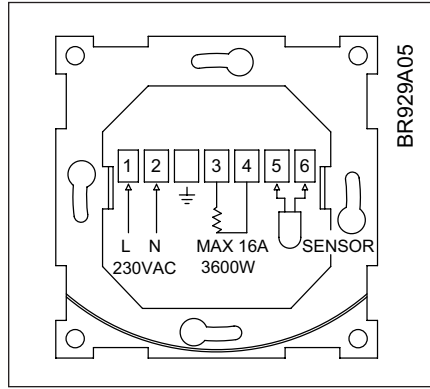


Fig. 3

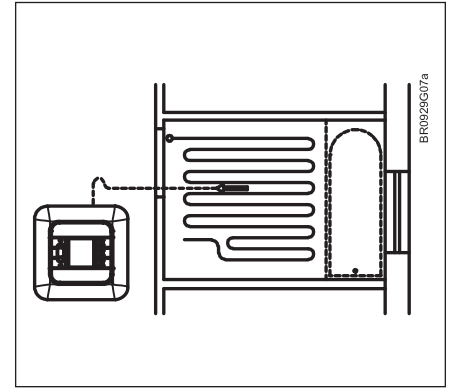


Fig. 5

Sensor	
Temp.(°C)	Value (ohm)
-10	64000
0	38000
10	23300
20	14800
30	9700

BR929A08

Fig. 4

